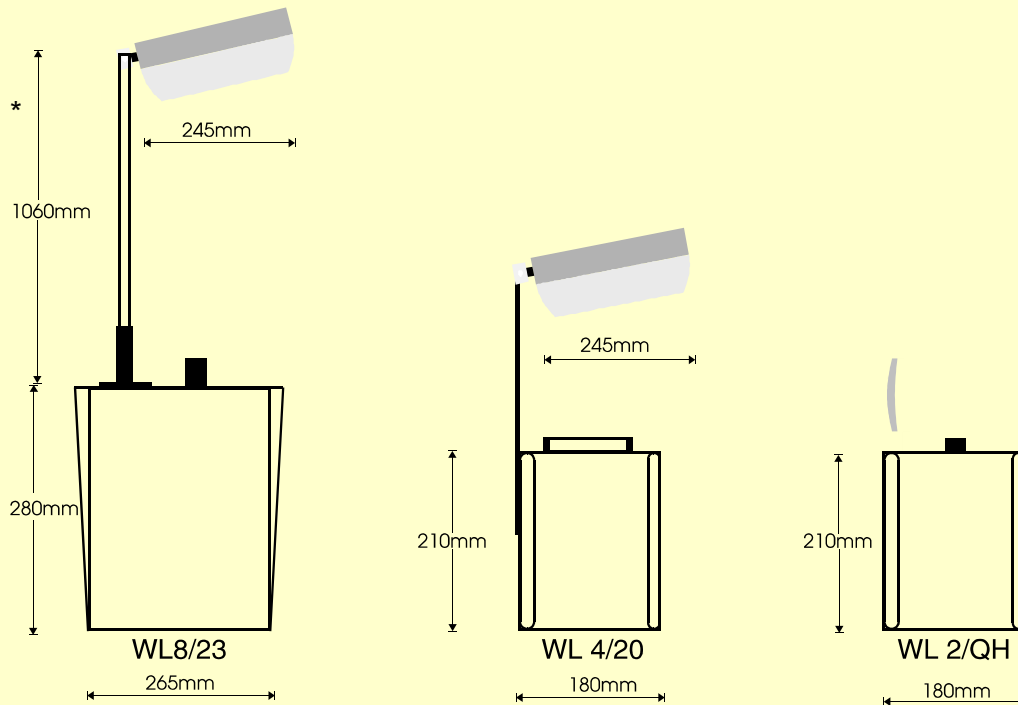


Technical Specification:

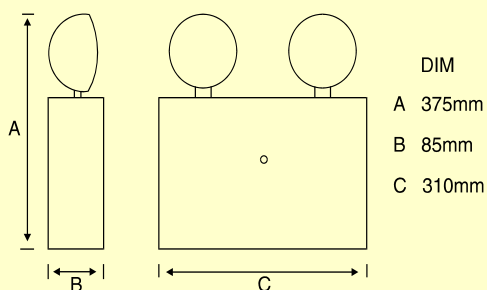
Worklight - 'WL' range



*The lamp pole is in two parts and the height shown is the total height.

Spotlight - 'SL' range

Lamps:	1 or 2 x 20 watt Quartz-Halogen
Supply Voltage:	240V AC \pm 6% 50Hz
Power Consumption:	20 watts max
Battery:	Maintenance-free sealed lead acid
Charger:	1.2A @ 13.6V
Recharge Time:	14 Hours to 80%
Low Voltage Cut-off:	approx 9V
Protection:	20mm Fuses - Mains 1.6A, Charger 2A, Battery 6.3A
Weight:	10kg max



Models:

SL20/3	3 hours, 1x 20W lamp
SL40/1	1 hour, 2x 20W lamps
SL40/3	3 hours, 2x 20W lamps